


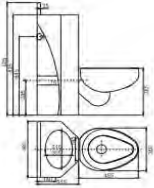


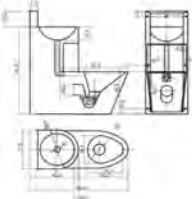

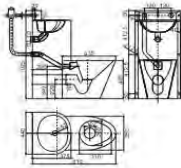

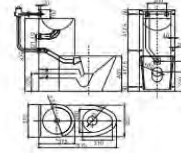





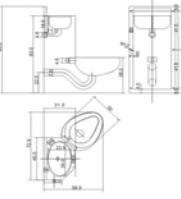

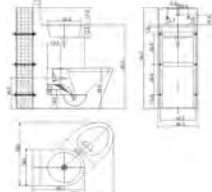

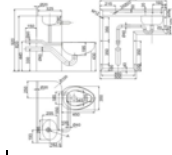

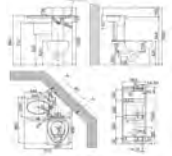







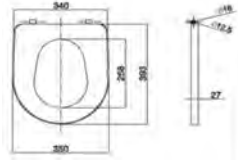


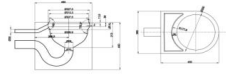

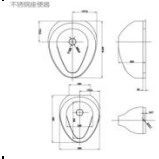

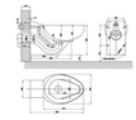

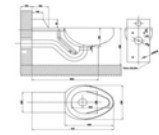

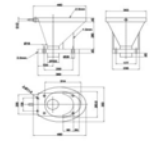



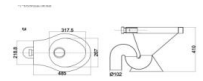

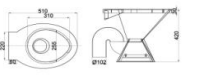
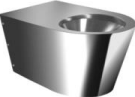


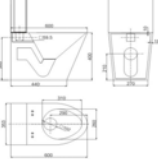

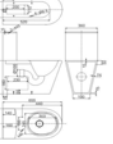

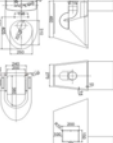
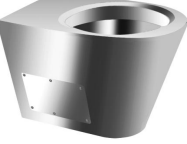

No.	Picture	NO.	Description	Surface	Package	Carton size	L	W	H	G.W.	N.W.	MOQ	Picture	
							Carton			Weight		pcs		
1		S-9111E	Stainless steel 304,thickness:1mm,1.5mm,2mm,2.5mm	Polish satin	1pc/ctn	0.087	56	40	39	19	18	100		
2		S-9111K	Stainless steel 304,thickness:1mm,1.5mm,2mm,2.5mm(with completed accessories&flush valves for toilet)	Polish satin	1pc/ctn	0.384	87	47	94	46	43	100		
3		S-9111K-2	Stainless steel 304,thickness:1mm,1.5mm,2mm(with completed accessories&flush tank for toilet)	Polish & satin	1pc/ctn	0.384	87	47	94	46	43	100		
4		S-9111T	Stainless steel 304,thickness:1mm,1.5mm,2mm,2.5mm(with flush tank)	Polish satin	1pc/ctn	0.384	87	47	94	46	43	100		

5		S-9111P	Stainless steel 304,thickness:1mm,1.5mm,2mm,2.5 (with completed accessories&flush valves for toilet)	Polish satin	1pc/ctn	0.384	87	47	94	46	43	100	
6		S-9111Q	Stainless steel 304,thickness:1mm,1.5mm,2mm,2.5mm	Polish satin	1pc/ctn	0.384	87	47	94	46	43	100	
7		S-9111L	Stainless steel 304,thickness:1mm,1.5mm,2mm	Polish satin	1pc/ctn	0.384	87	47	94	46	43	100	
8		S-9111Z	Stainless steel 304,thickness:1mm,1.5mm,2mm	Polish satin	1pc/ctn	0.384	87	47	94	46	43	100	
9		S-9111K-H1											


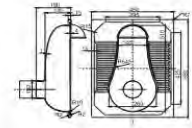

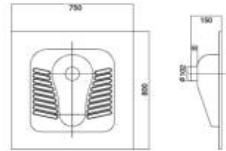

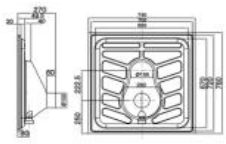

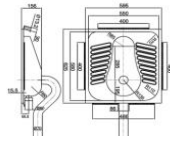

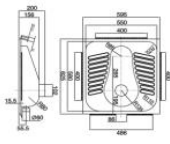

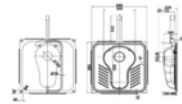

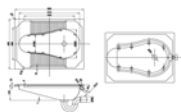
10		S-9111Q-X1												
11		S-9888	Stainless steel 304,thickness:1.5MM	Polish satin	1pc/ctn									100 
12		S-9889												
13		S-9111W	Stainless steel 304,thickness:Stainless steel 304,the thickness of inside bowl is 1mm,the surround is 1.5mm,the bottom is2mm,the top seat 2.5mm	Polish satin	1pc/ctn	65.5x40.5x50 + 42x17x25cm			16kgs	15kgs	100			
14		S-93	Stainless steel 304,thickness:1.5mm,2mm,2.5MM	Polish satin	1pc/ctn	0.133	65.5	40.5	50	16	15	100		
15		S-9111H	Stainless steel 304,thickness:1mm,1.5mm,2mm,2.5mm	Polish satin	1pc/ctn	0.133	65.5	40.5	50	16	15	100		


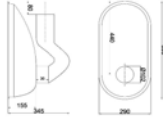



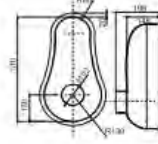

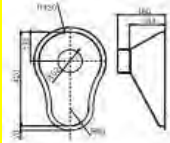

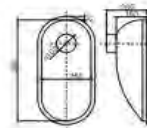

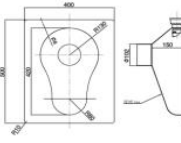


16		S-9111J	Stainless steel 304,the thickness of inside bowl is 1mm,the surround is 1.5mm,the bottom is2mm,the top seat 2.5mm,the length of toilet pan is 515mm	Polish satin	1pc/ctn	0.133	65.5	40.5	50	16	15	100	
17		S-9111C	Stainless steel 304,the thickness of inside bowl is 1mm,the surround is 1.5mm,the bottom is2mm,the top seat 2.5mm,the length of toilet pan is 600pcs	Polish satin	1pc/ctn	0.133	65.5	40.5	50	16	15	100	
18		S-9111	Stainless steel 304,the thickness of inside bowl is 1mm,the surround is 1.5mm,the bottom is2mm,the top seat 2.5mm,the length of toilet pan is 600mm	Polish satin	1pc/ctn	0.145	72	42.5	47.5	17	16	100	
19		S-9121A	Stainless steel 304,the thickness of inside bowl is 1mm,the surround is 1.5mm,the bottom is2mm,the top seat 2.5mm,the length of toilet pan is 650pcs	Polish satin	1pc/ctn	0.145	72	42.5	47.5	17	16	100	
20		S-9111D	Stainless steel 304,thickness:1.5mm,2mm,2.5MM	Polish satin	1pc/ctn	0.145	72	42.5	47.5	17	16	100	
21		S-9111B	Stainless steel 304,thickness:1.5mm,2mm,2.5MM	Polish satin	1pc/ctn	0.145	72	42.5	47.5	17	16	100	
22		S-9111A	Stainless steel 304,thickness:1.5mm,2mm,2.5MM	Polish satin	1pc/ctn	0.145	72	42.5	47.5	17	16	100	

23		S-9111-00										100	
24		S-9111-01											
25		s-2111p	Stainless steel 304,thickness:1.2mm,the size is the same as teke's drawing	Satin	1pc/ctn							300	
26		s-3111											
27		s-9111p											
28		s-3112											
29		s-6102	SS304.The top of seat is 2.5mm,the other is 1.5mm	Satin	1pc/ctn	0.106	59	38	47.5	10	9		


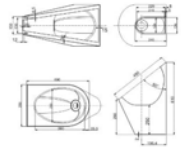

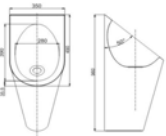

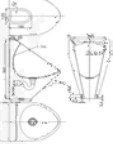

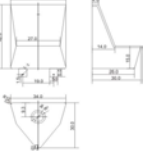

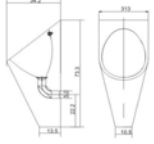

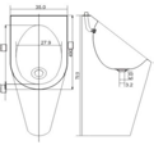

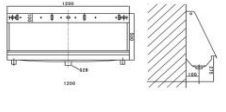
30		s-6211A	SS304,The top of seat is 2.5mm,the other is 1.5mm	Satin	1pc/ctn	0.106	59	38	47.5	10	9		
31		s-6211S	SS304,The top of seat is 2.5mm,the other is 1.5mm	Satin	1pc/ctn	0.106	59	38	47.5	10	9		
32		S-7111P	The wall hung toilet pan is make of stailless steel 304,the thickness of inside bowl is 1mm,the surround is 1.5mm,the bottom is2mm,the top seat 2.5mm,the length of toilet pan is 700mm with P trap.	Polish satin	1pc/ctn	0.153	76	42.5	47.5	20	19	100	
33		S-9111W-PY										100	
34		S-9111W-R2											
35		S-9111W-PX1											
36		S-9111-R1											


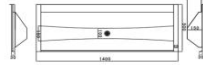

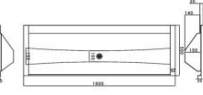

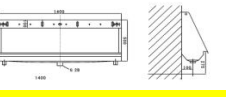

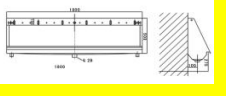




37		S-9111E-R1												
38		S-9112S	Stainless steel 304,thickness:1mm	Polish satin	1pc/ctn	0.080	63	53	24	4kgs	3kgs	100		
39		S-9112	Stainless steel 304,thickness:1mm	Polish satin	10pc/ctn	0.292	67	64	68	40kgs	30kgs	100		
40		S-9112V	Stainless steel 304,thickness:1mm	Polish satin	1pc/ctn	0.088	70	50	25	6.5kgs	5kgs	100		
41		S-9112C	Stainless steel 201,thickness:1mm	Polish satin	10pc/ctn	0.238	63	54	70	29kgs	15kgs	100		
42		S-9112C	Stainless steel 304,thickness:1mm	Polish satin	10pc/ctn	0.238	63	54	70	29kgs	15kgs	100		
43		S-9112B	Stainless steel 304,thickness:1mm	Polish satin	1pc/ctn	0.116	73	69	23	5kgs	4kgs	100		


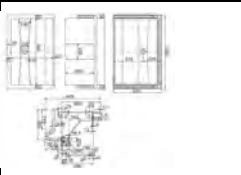

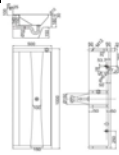










44		S-9112D	Stainless steel 304,thickness:1mm	Polish satin	10pc/ctn	0.292	67	64	68	40kgs	30kgs	100	
45		S-9112A	Stainless steel 304,thickness:1mm	Polish satin	10pc/ctn	0.292	67	64	68	40kgs	30kgs	100	
46		S-9117	Stainless steel 304,thickness:1mm	Polish satin	10pc/ctn	0.292	67	64	68	40kgs	30kgs	100	
47		S-9112B-SP	Stainless steel 304,thickness:1mm	Polish satin	10pc/ctn	0.292	67	64	68	40kgs	30kgs	100	
48		S-9112R	Stainless steel 304,thickness:1mm	Polish satin	10pc/ctn	0.292	67	64	68	40kgs	30kgs	100	
49		S-9118	Stainless steel 304,thickness:1.20mm										
50		S-6511P											








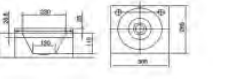





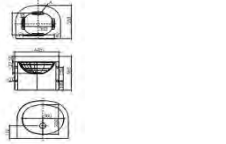
51		S-9112J-P															
52		S-9112-VG															
53		S-9112H	Stainless steel 304,thickness:1mm														100 
54		S-9112K	Stainless steel 304,thickness:1mm														100 
55		S-9112J	Stainless steel 304,thickness:1mm														100 
56	 <small>Stainless steel finishing mm F304/304L</small>	S-9112L	Stainless steel 304,thickness:1mm														100 
57		S-9113	Stainless steel 304,thickness:1mm	Polish satin	1pc/ctn	0.050	49	35	29	4kgs	3kgs						100 


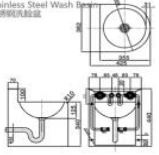

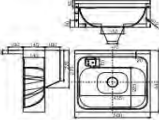

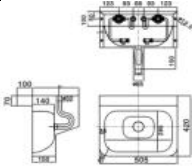

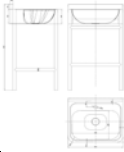

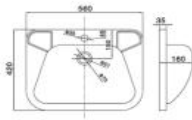

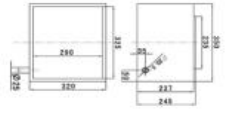

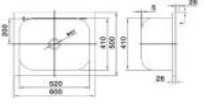
58		S-9113C	Stainless steel 304,thickness:1mm	Polish satin	1pc/ctn	0.136	47	50	58	5kgs	4kgs	100	
59		S-9113A	Stainless steel 304,thickness:1mm	Polish satin	1pc/ctn	0.072	51.5	36.5	38.5	5kgs	4kgs	100	
60		S-9113B	Stainless steel 304,thickness:1mm	Polish satin	1pc/ctn	0.050	49	35	29	3kgs	2kgs	100	
61		S-9113T	Stainless steel 304,thickness:1.5mm	Polish satin	1pc/ctn	0.136	47	50	58			100	
62		S-9113S	Stainless steel 304,thickness:1.5mm	Polish satin	1pc/ctn	0.136	47	50	58			100	
63		S-3113-P											
64		S-3113-C											


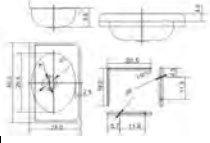

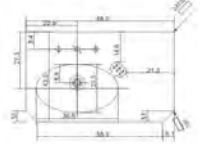

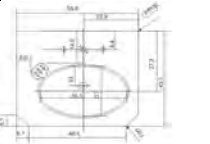

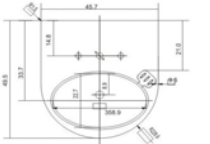

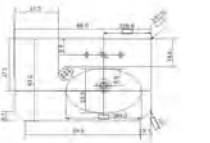

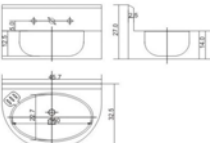

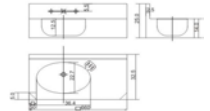
65		S-9113X										
66		S-9113X-H1										
67		S-9113E										
68		S-9113F										
69		S-9113F-733										
70		S-9113X-900A										
71		S-9114B	Stainless Steel 304 Urinal Trough 1200mm, Urinal Trough Inside Part is Satin finish : thickness 1.2mm	Polish satin	1pc/ctn	127.5	55	27	19	17	100	


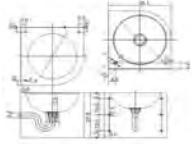

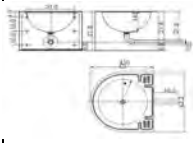

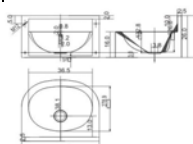

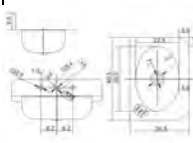

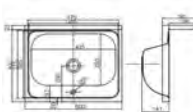

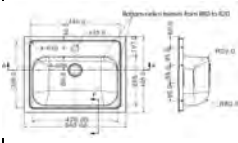

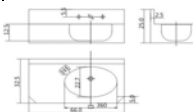
72		S-7114	Stainless Steel 304 Wash Trough Easy 1400mm, incl.backspl. - Satin finish : thickness 1.2mm, including 2 installation fixtures, and a plastic waste -- Only one face is with Satin Finish	Polish satin	1pc/ctn								100	
73		S-7115	Stainless Steel 304 Wash Trough Easy 1800mm, incl.backspl. - Satin finish : thickness 1.2mm, including 2 installation fixtures, and a plastic waste -- Only one face is with Satin Finish	Polish satin	1pc/ctn								100	
74		S-9114C	Stainless Steel 304 Urinal Trough 1400mm, Urinal Trough Inside Part is Satin finish : thickness 1.2mm	Polish satin	1pc/ctn								100	
75		S-9114D	Stainless Steel 304 Urinal Trough 1800mm, Urinal Trough Inside Part is Satin finish : thickness 1.2mm	Polish satin	1pc/ctn								100	
76		S-9114P		Polish satin	1pc/ctn									
77		S-9114	Stainless Steel 304 Urinal Trough 1400mm, Urinal Trough Inside Part is Satin finish : thickness 1.2mm	Polish satin	1pc/ctn									


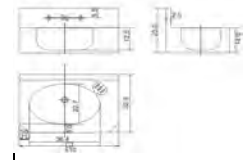

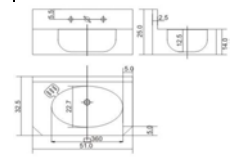

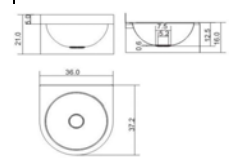

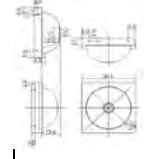

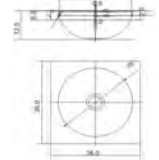

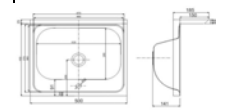

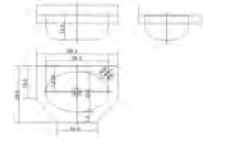
78		S-7117P	stainless steel 304,the thickness is 1.2mm,our price is include 2pcs bracket ,drainer,2pc hose and faucet	Polish satin	1pc/ctn	0.310	101.5	61.5	49.5	27	24	50	
79		S-7117	1.0m wash trough will use 1.2mm thickness of material of SS304, surface with polish finish	Polish satin	1pc/ctn		110	56	21			50	
80		SS-9955	Stainless steel 304,thickness:0.8mm	Polish satin	1pc/ctn	0.053	50	42	25	2.5	1.5	100	
81		S-9011-1	Stainless steel 304,thickness:1mm	Polish satin		0.000						100	
82		S-9011	Stainless steel 304,thickness:1mm	Polish satin	1pc/ctn	0.027	44	36	17	6.5	5.5	100	
83		S-9014	Stainless steel 304,thickness:1mm	Polish satin	1pc/ctn	0.053	50	42	25	2.5	1.5	100	
84		S-9015	Stainless steel 304,thickness:1mm	Polish satin	1pc/ctn	0.053	50	42	25			100	


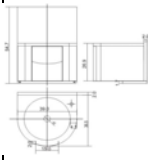

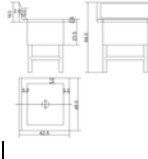



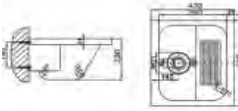



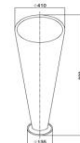


85		SS-9954	Stainless steel 304,thickness:0.8mm	Polish satin	1pc/ctn	0.053	50	42	25	2.5	1.5	100	
86		S-9123	Stainless steel 304,thickness:1mm	Polish satin	1pc/ctn	0.071	49	54	27	3	2	100	
87		S-9012	Stainless steel 304,thickness:1mm	Polish satin	1pc/ctn	0.027	44	36	17	6.5	5.5	100	
88		S-9013-1	Stainless steel 304,thickness:1mm	Polish satin	1pc/ctn	0.048	40	40	30			100	
89		S-9013	Stainless steel 304,thickness:1mm	Polish satin	1pc/ctn	0.048	40	40	30			100	
90		S-9013-2	Stainless steel 304,thickness:1mm	Polish satin		0.000						100	
91		S-9016	Stainless steel 304,thickness:1mm	Polish satin		0.000						100	


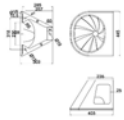

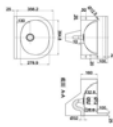

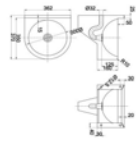

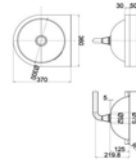

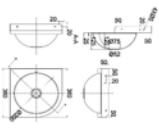

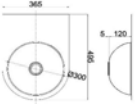

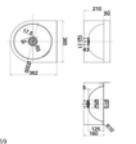
92		S-9016R	Stainless steel 304,thickness:1mm	Polish satin		0.000							100	
93		S-9124	Stainless steel 304,thickness:1mm	Polish satin	1pc/ctn	0.101	57	49	36	10kgs	9kgs	100		
94		S-9124A	Stainless steel 304,thickness:1mm	Polish satin		0.000						100		
95		S-9124-Z1	Stainless Steel 304 wash basin including 35mm faucet hole with drainer: thickness 1.0mm, surround is 1.2mm/435*505mm,bracket is 32mm*1.5mm	Polish satin	1pc/ctn	203.044	525	455	850	18kgs	16kgs	50		
96		S-9019	Stainless steel 304,thickness:1mm	Polish satin		0.000						100		
97		S-9020	Stainless steel 304,thickness:1mm	Polish satin		0.000						100		
98		S-9121	Stainless steel 304,thickness:1mm	Polish satin	5pc/ctn	0.238	63	54	70	22.3kgs	21.3kgs	100		


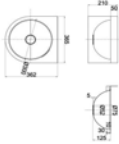

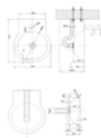

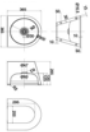

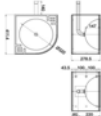

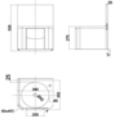

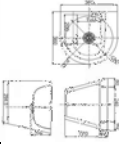

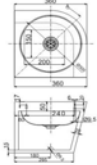
99		S-6038	Stainless steel 304,thickness:1mm	Polish satin																
100		S-6039M-R	Stainless steel 304,thickness:1mm	Polish satin																
101		S-6039A-L	Stainless steel 304,thickness:1mm	Polish satin																
102		S-6039R	Stainless steel 304,thickness:1mm	Polish satin																
103		S-6039M-L	Stainless steel 304,thickness:1mm	Polish satin																
104		S-6039R-D	Stainless steel 304,thickness:1mm	Polish satin																
105		S-6039D-R	Stainless steel 304,thickness:1mm	Polish satin																


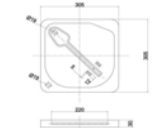
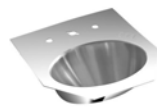


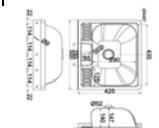

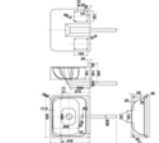

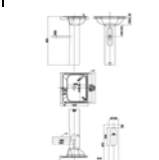

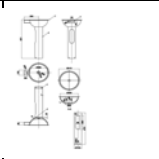


106		S-6204A	Stainless steel 304,thickness:1mm	Polish satin								
107		S-6204R	Stainless steel 304,thickness:1mm	Polish satin								
108		S-6011A	Stainless steel 304,thickness:1mm	Polish satin								
109		S-6038B	Stainless steel 304,thickness:1mm	Polish satin								
110		S-9123B	Stainless steel 304,thickness:1mm	Polish satin								
111		S-9122A	Stainless steel 304,thickness:1mm	Polish satin								
112		S-6039D-L	Stainless steel 304,thickness:1mm	Polish satin								


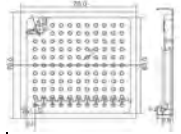

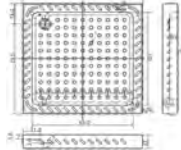

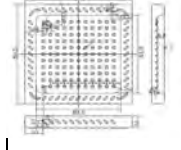

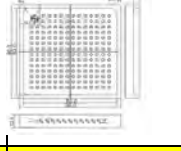

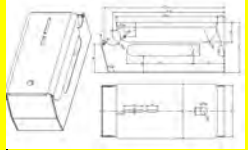

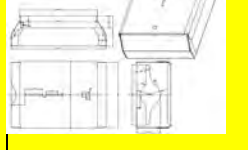

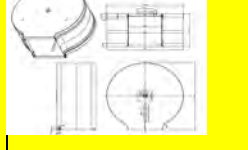
113		S-6039F-R	Stainless steel 304,thickness:1mm	Polish satin																
114		S-6039F-L	Stainless steel 304,thickness:1mm	Polish satin																
115		S-8201A-C	Stainless steel 304,thickness:1mm	Polish satin																
116		S-8200-C	Stainless steel 304,thickness:1mm	Polish satin																
117		S-8200-D	Stainless steel 304,thickness:1mm	Polish satin																
118		S-9123B-D	Stainless steel 304,thickness:1mm	Polish satin																
119		S-6038F	Stainless steel 304,thickness:1mm	Polish satin																




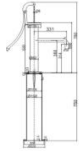



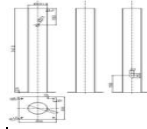

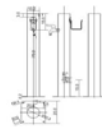

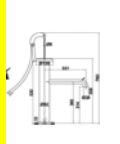
120		S-6205R	Stainless steel 304,thickness:1mm	Polish satin									
121		S-9124-Z3	Stainless steel 304,thickness:1mm	Polish satin									
122		S-9128	Stainless steel 304,thickness:1mm	Polish satin	1pc/ctn	0.072	51	46	30.5	7	6	100	
123		S-9128A	Stainless steel 304,thickness:1mm	Polish satin	1pc/ctn	0.072	51	46	30.5	7	6		
124		S-9407C	Stainless steel 304,thickness:1mm	Polish satin	1pc/ctn	0.194	92	48	44	15	14	100	
125		S-9407S	Stainless steel 304,thickness:1mm	Polish satin	1pc/ctn	0.194	92	48	44	15	14	100	
126		S-9407A	Stainless steel 304,thickness:0.8mm, 1.5mm	Polish satin	1pc/ctn	0.216	90	49	49	18	17	100	


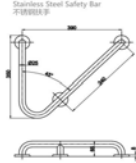




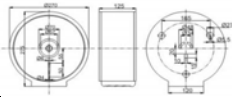

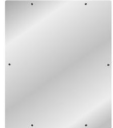
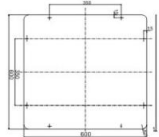
127		S-6010	Stainless steel 304,thickness:1mm	Polish satin		0.000						
128		S-6011	Stainless steel 304,thickness:1.0mm	Polish satin	1pc/ctn	0.000						
129		S-6012	Stainless steel 304,thickness:1.0mm	Polish satin	1pc/ctn	0.000						
130		S-8201P	Stainless steel 304,thickness:1mm	Polish satin		0.000						
131		S-8200	Stainless steel 304,thickness:1mm	Polish satin		0.000						
132		S-8201	Stainless steel 304,thickness:1mm	Polish satin		0.000						
133		S-8201A	Stainless steel 304,thickness:1mm	Polish satin		0.000						


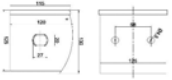




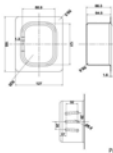

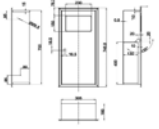


134		S-8201B	Stainless steel 304,thickness:1mm	Polish satin		0.000						
135		S-8205	Stainless steel 304,thickness:1mm	Polish satin		0.000						
136		S-6203	Stainless steel 304,thickness:1mm	Polish satin		0.000						
137		S-6204	Stainless steel 304,thickness:1mm	Polish satin		0.000						
138		S-6205	Stainless steel 304,thickness:1mm	Polish satin		0.000						
139		S-6206	Stainless steel 304,thickness:1mm	Polish satin								
140		S-6207	Stainless steel 304,thickness:1mm	Polish satin								

141		S-9129	Stainless steel 304,thickness:1mm	Polish satin		0.000							
142		S-8202	Stainless steel 304,thickness:1mm	Polish satin		0.000							
143		S-9125	Stainless steel 304,thickness:1.0mm	Polish satin	5pc/ctn	0.109	56	54	36	17kgs	16kgs		
144		S-9124A	Stainless steel 304,thickness:1mm	Polish satin									
145		S-8121	Stainless Steel 304 wash basin including self-closing faucet with drainer: thickness 1.2mm /500*420*800mm,Net Weight is 13kgs	Polish satin									
146		S-7200P		Polish satin									
147		S-9018	Stainless steel 304,thickness:1.0mm	Polish satin	1pc/ctn							100	

148		S-8018-700	Stainless steel 304,thickness:1.0mm	Polish satin	1pc/ctn								
149		S-8018-750	Stainless steel 304/430,thickness:1mm	satin/Polish h/white powder coating	1pc/ctn								
150		S-8018-800	Stainless steel 304/430,thickness:1mm										
151		S-8018-900	Stainless steel 304/430,thickness:1mm										
152		S-P6002	Paper box Material: 304 stainless steel	satin finished	10								
153		S-P7101	Paper box Material: 304 stainless steel	satin finished	10								
154		S-9017	Stainless steel 304,thickness:1mm,	Polish Finish									

155		S-7111	Stainless steel 304,thickness:1mm,	Mirror								100	500*600
156		S-5111		Satin								100	
157		S-907	stainless steel 304	Polish satin									
158		S-908	stainless steel 304	Polish satin									
159		S-909	stainless steel 304	Polish satin									
160		S-909A	stainless steel 304	Polish satin									
161		S-H-2001	Handrail support in the area of basin and toilet, length: 30cm, thickness: 1mm, diameter: 32mm, stainless steel 304, satin finish, including all installation accessories	Polish satin	20pcs/ctn	0.06	40.5	36	42			500	

176		S-H-2118																				
177		S-H-2119																				
178		S-H-3000		Polish satin																		
179		S-T-6801	Paper box Material: 304 stainless steel	satin finished	10																500	
180		S-T-6800	Paper box Material: 304 stainless steel	satin finished	10																400	
181	 Stainless Steel Paper Dispenser	S-T-6802	SS mirror:Stainless steel 304, thickness 1mm, dim. 400*500mm, polished and 100% corrosion resistant	Polish satin	1pc/ctn	0.076	57	47	28.5												50	
182		S-6800	Material: 304 8K MIRROR 0.69mm 厚	Mirror	10									24	19						200	

183		S-T-5800	Stainless steel 304	Polish satin											
184		S-T-5804	Stainless steel 305	Polish satin											
185		S-T-5801	Stainless steel 306	Polish satin											
186		S-D-5803													
187		S-5111	3L	MIRROR	6pcs/ctn	0.069209	58	21.5	55.5	6kgs	5kgs	500			
188		S-55	5L	MIRROR	4pcs/ctn	0.06006	45.5	44	30	6kgs	5kgs	500			
189		S-56	12L	MIRROR	4pcs/ctn	0.068213	53.5	30	42.5	7kgs	6kgs	500			

